

2

1

**Install Spare Magazine Holder**

1. Ensure your gun is unloaded / safe before proceeding.

2. Slide spare magazine holder (1) onto the accessory / Picatinny rail of grip module, push all the way toward the trigger guard, and line up the screw hole to the nearest Picatinny slot\*. Ensure the female Picatinny rail on the spare magazine holder properly clamps onto corresponding counterpart on both sides.

3. Insert screw (2) and hex nut (3) as shown. Torque to around 10 in-lbs++.

\* 3rd Picatinny slot from trigger guard.

++ A torque driver is not required.

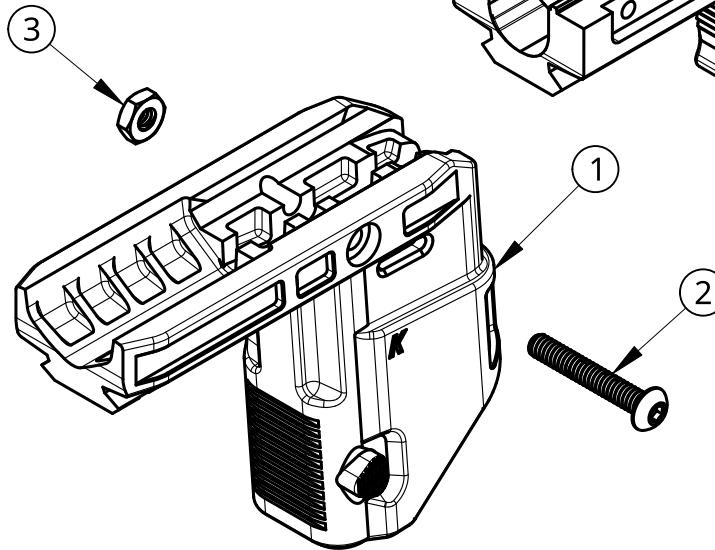
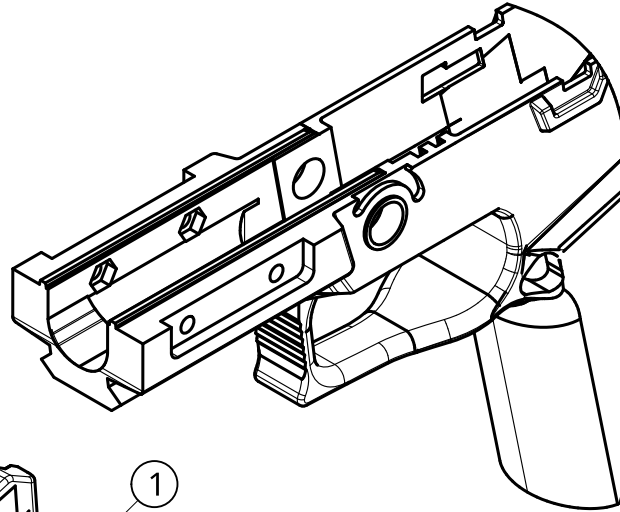
The torque spec is provided as a reference as to not over tighten the screw, potentially causing damage to your system.

**Tool Needed**

- $\frac{1}{8}$ " Hex screwdriver

**PARTS LIST**

ITEM	QTY	DESCRIPTION
(1)	1	SPARE MAG HOLDER
(2)	1	#10-24 x 1- $\frac{1}{4}$ " SCREW
(3)	1	#10-24 Hex Nut



**NOTE:** Spare Magazine Holder is designed based off factory Sig Sauer M17 / M18 grip module (PN: GRIP-MMS-CA-943).

Some tolerance variance around accessory / Picatinny rail and trigger guard may be experienced if installed on a third party grip module.

Spare magazine may rattle slightly when inserted. It is normal and to ensure free drop in various conditions.

DRAWN		NAME	DATE	KOENG PN 08-002		
CHECKED		KOENG.CO	10/28/2022	TITLE		
APPROVED				SIG SAUER M17   M18   P320		
				SPARE MAGAZINE HOLDER		
MATERIAL		FINISH	SIZE	DWG NO.	REV.	
Engineering Polymer			A	20221028	01	
SCALE		WEIGHT		SHEET		
1:1.5				1 of 1		



2

1