

STEP 1. Install Adapter Plate

a. Affix adapter plate (1) to Leupold ring top at the top position.

The plate can only be installed on top.

The plate features multiple holes, so it can be placed farther forward or back.

b. Once the desired position is determined, insert screws (2). Torque to 25 in-lbs.

STEP 2. Install Aimpoint MICRO Sight

Fasten the Aimpoint MICRO sight to the adapter plate (1) with four screws (3).

Max torque 10 in-lbs.

STEP 3. Install Leupold Ring Top

Install the DeltaPoint Pro ring top and tighten the screws. Torque to 25 in-lbs.

Torx bit needs to be held at an angle to clear the MICRO sight battery cap.

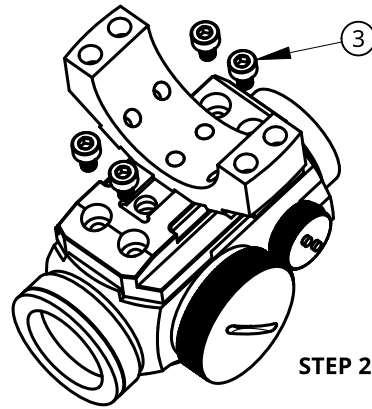
Reference Leupold DeltaPoint Pro Ring Top Mount Kit manual for details.

Tools Needed

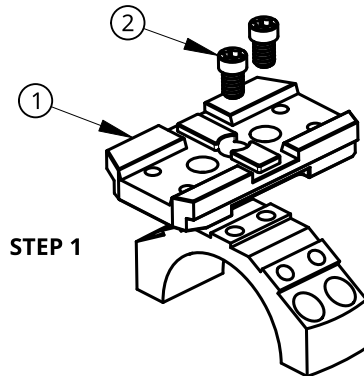
- Torque wrench
- T15 Torx bit for torque wrench
- 2.5mm Hex bit for torque wrench

PARTS LIST

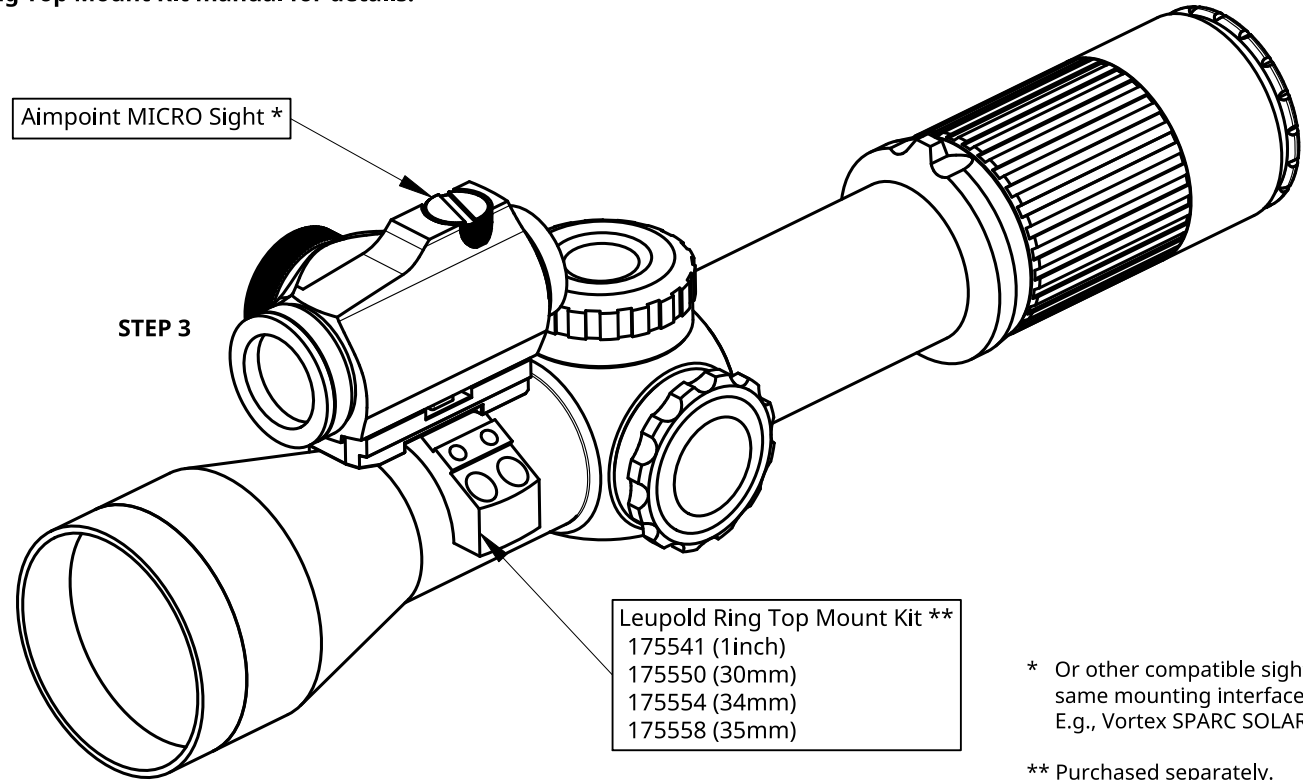
ITEM	QTY	DESCRIPTION
(1)	1	AIMPOINT MICRO PLATE
(2)	2	#8-40, .250 SCREW
(3)	4	M3 x 5 SCREW



STEP 2



STEP 1



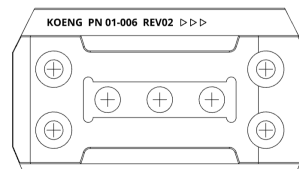
STEP 3

Leupold Ring Top Mount Kit **
 175541 (1inch)
 175550 (30mm)
 175554 (34mm)
 175558 (35mm)

* Or other compatible sights with same mounting interface. E.g., Vortex SPARC SOLAR.

** Purchased separately.

FRONT >>>



NAME		DATE					
DRAWN		KOENG				TITLE	
CHECKED						Aimpoint MICRO Adapter for Leupold Ring Top Mount Kit	
APPROVED						PN 01-006 REV02	
MATERIAL		FINISH		SIZE	REV.		
6061-T6		Mil. Spec Type 3 Anodized		A	01		
DWG NO.		SCALE		WEIGHT			
20230803		1:1.5		18.3g / .65oz			
SHEET		1 of 1					