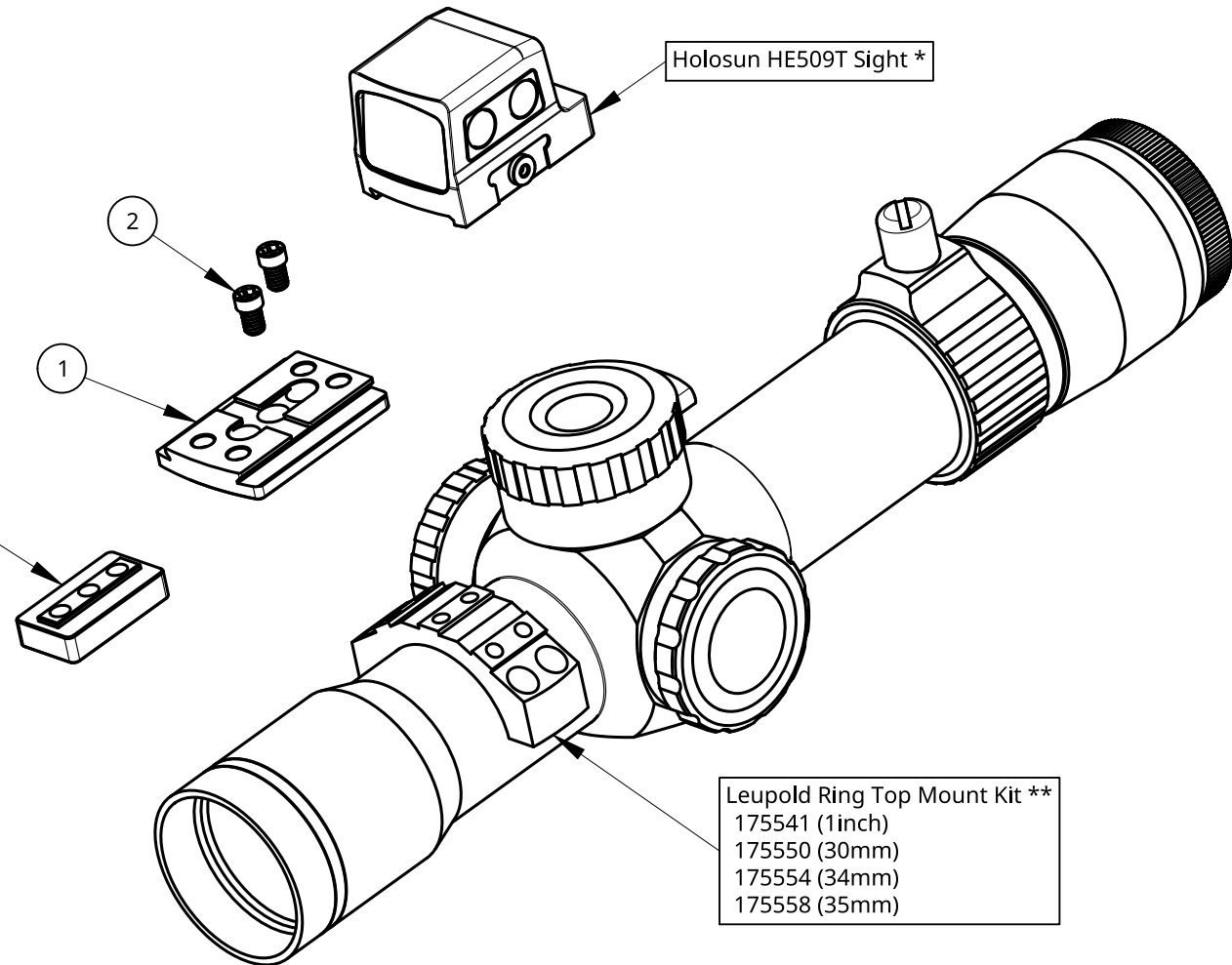


## PARTS LIST

ITEM	QTY	DESCRIPTION
(1)	1	HOLOSUN HE509T ADAPTER
(2)	2	#8-40, .250 SCREW

Find this document at: <https://koeng.co/instructions/>**Tools Needed**

- Torque wrench
- T10 Torx bit for torque wrench
- T15 Torx bit for torque wrench

**1. Install Adapter Plate**

- With the adapter plate (1) to Leupold ring top in the desired position.  
The plate can be installed on either side at 45° angle or directly on top.  
The plate features multiple holes, so it can be placed farther forward or back.
- Once the desired position is determined, insert screws (2). Torque to 25 in-lbs.

**2. Install Holosun HE509T Sight**

- With the HE509T recoil stop positioned in the recess, push the sight forward and tighten the locking bar screw.
- Tighten the locking bar screw until light resistance is encountered.  
Proceed with another 1/4 - 1/2 turn until fully tightened (torque to <math>\leq 19</math> in-lbs).
- Retighten the locking bar screw after initial firing to ensure sight is securely fastened.

\* Or other compatible sights with same mounting interface.

\*\* Purchased separately.

NAME		DATE	KOENG		
DRAWN	KOENG.CO	2023/10/10	TITLE		
CHECKED			HE509T LEUPOLD ADAPTER		
APPROVED			PN 01-015		
MATERIAL		FINISH	SIZE	DWG. NO.	REV.
6061-T6		Mil. Spec Type 3 Anodized	A	20231010	1
SCALE	1:1.5	WEIGHT	17.7g / 0.62oz	SHEET	1 of 1